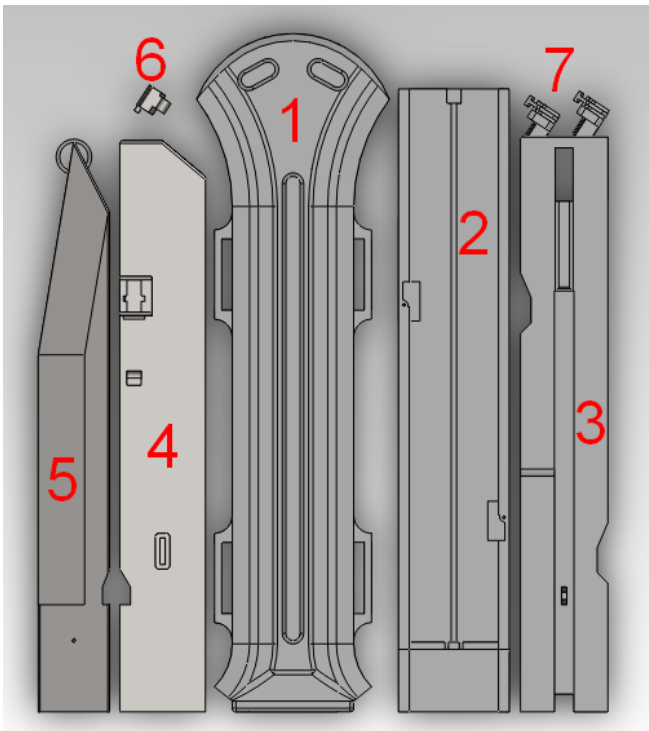




Be sure you receive all this following pieces:



1) Clean all the different pieces of the kit:

-Be sure that all the powder is totally remove from all the different pieces.

-Make all the pieces move smoothly with the others:

Piece n°2 can enter into n°1 (don't clip it),

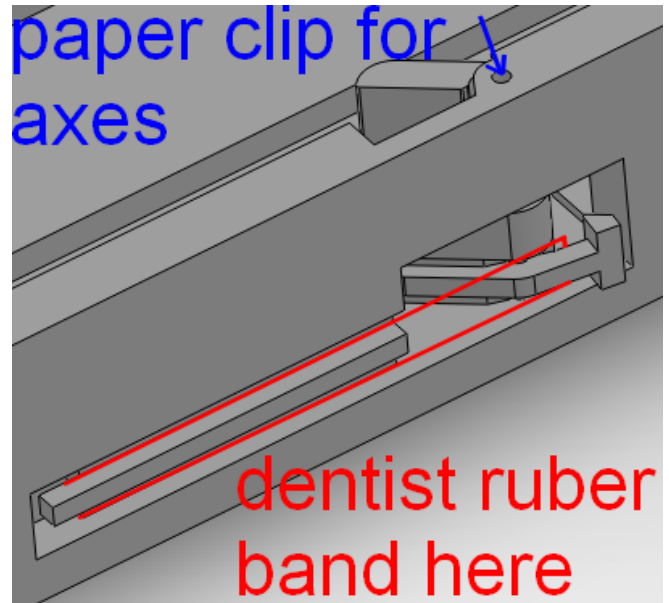
Piece n° 3 can move smoothly in n°2,

Piece n°5 can move smoothly in n°4,

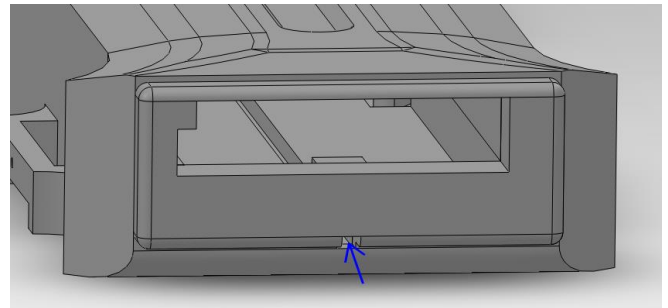
Piece n°4 can move in n°2 with n°3 in n°2,

When I say smoothly, the piece could move just by gravity, with no human help. If it doesn't move correctly, don't hesitate to sand down the pieces.

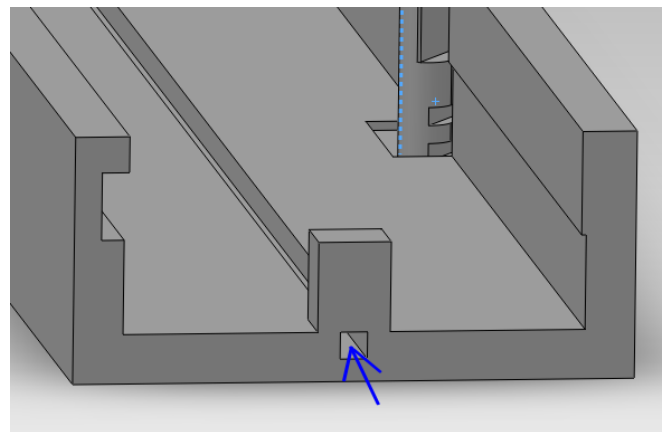
2) Install the locks (part n°7) in mechanism bloc n°2:



3) Pass the fisher line into the hole of the part n°1 face and next into the hole of the part n°2:



Next in:



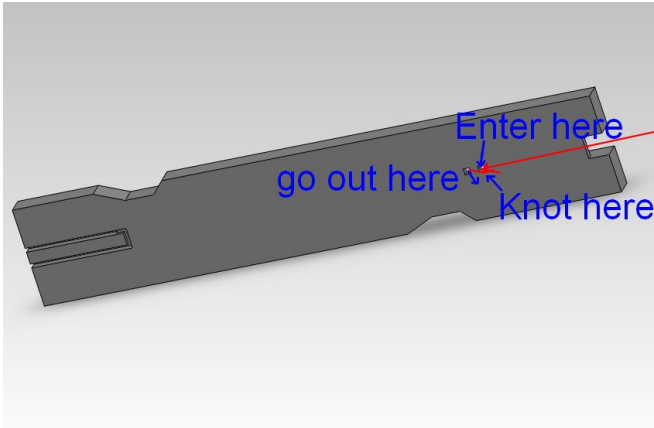


4) Make a knot in part n°3:

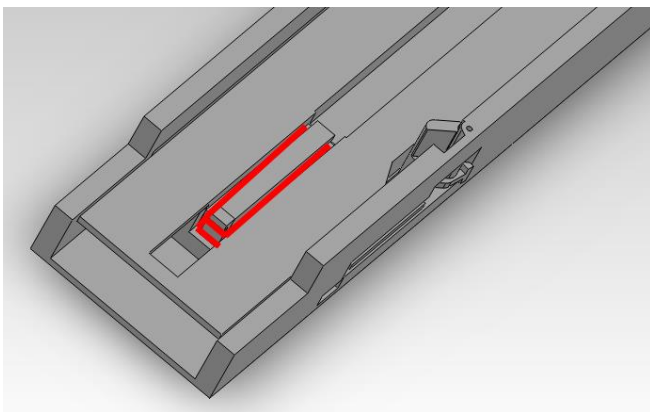
Red represented the rope.

You enter in the right hole and go out in the left one.

The knot has to be done on the face visible on the pics so follow the arrow.

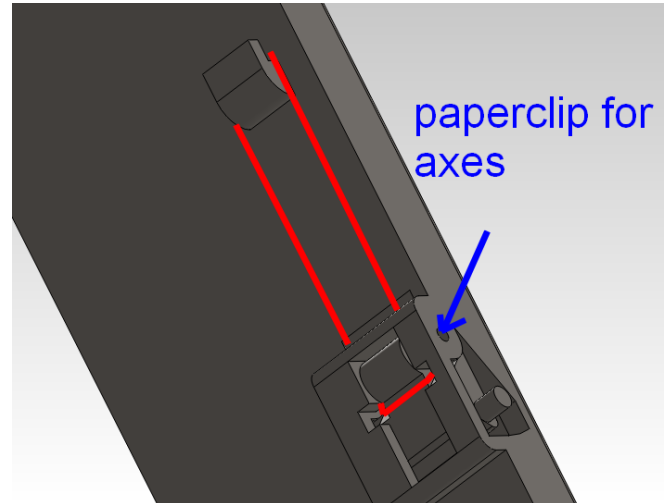


5) Install the first dentist rubber band on the bottom of the n°3 parts, next fixe it to part n°2 and do the same on the top:



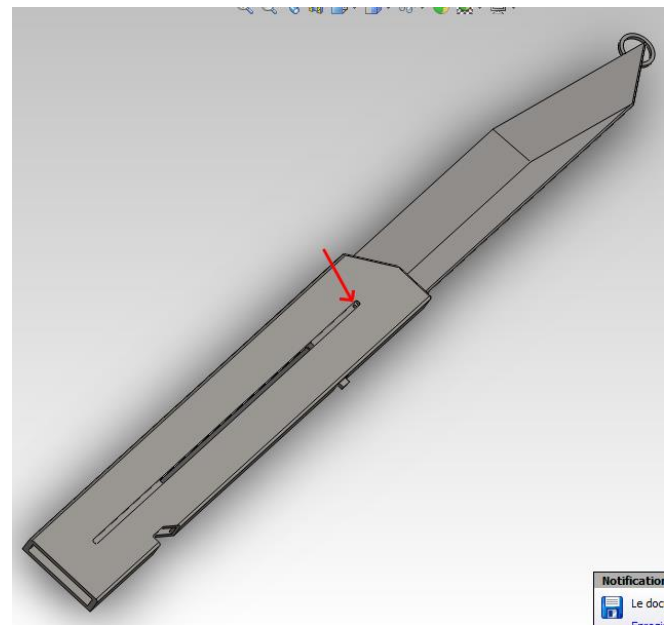
Install first the rubber band on the back side of the n°3 piece, because it's the more difficult to install

6) Put the lock (part n°6) on the part n°4:



It's a difficult part to put the lock in the part n°4, Think about pass the rubber first around the lock and pass it in the whole in part n°4.

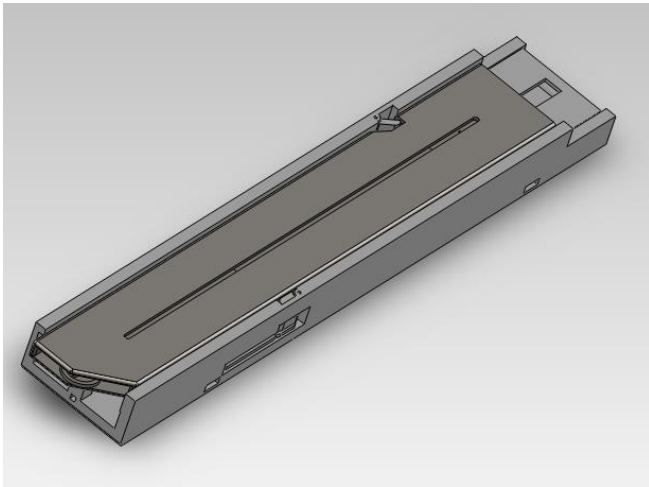
7) Now put the blade (part n°5) in the part n°4:



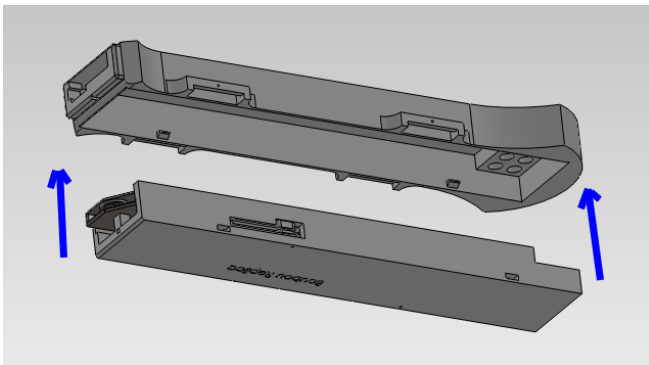
Put a paper clip on the blade whole and be sure that the paper clip block the blade but don't exceed the part n°4. The blade has to move smoothly!



8) Install the blade block into the mechanism block:



9) Clip all in the part n°1:



Think about pass the blade first.

Now it works!

For the people who buy the optional attachments, put the attachments part on each side and lock it with paper clip:



/! Be sure to keep paper clip visible if you want to remove the attachments later.